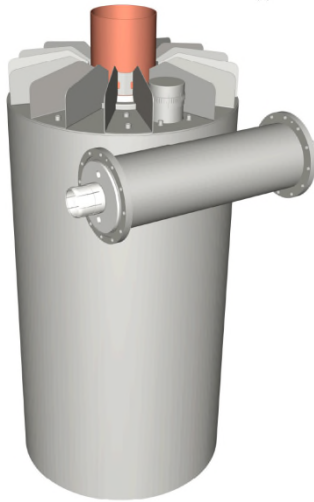


ERI Model 786 Series FM Notch Filters



786-1 FM Notch Filter

ERI filters and combiners have served the broadcast industry for over 40 years. The basic building block of ERI's combiner and multiplexers system is a unique filter cavity. Only ERI offers an all copper and brass cylindrical cavity and all internal components in the RF path are silver plated. The result is an extremely efficient (low loss) and stable filter. ERI filters include a unique temperature compensation assembly which maintains the filters performance from a cold start to normal operating temperature without causing high transmitter VSWR.

With good antenna sites scarce and tower costs staggering, radio stations tend to operate their antennas in close proximity to one another. With close frequency spacing possible, radiation coupling between antennas is unavoidable and can be quite high. Ideally, a radio station transmitter would transmit power on just its assigned channel. Unfortunately, due to undesired coupling, a product frequency may actually compete with a station existing on or near its frequency. The FCC regulates these emissions and they must be suppressed. ERI 786 Notch Filter may be arranged in a series to achieve reduction of multiple frequencies and/or greater attenuation of any frequency.

Features

- High stability temperature compensated cavities
- Copper/ brass construction with stainless steel hardware (critical components are silver plated)
- Easily assembled floor standing units (hardware for ceiling suspension available on request)
- Minor adjustment of cavity resonant frequency can be made during full power operation of the filter
- Filters may be arranged in series to achieve reduction of multiple frequencies and/or greater attenuation of any single frequency
- Each filter includes a built in temperature indicator
- Factory tuned to customer's specified channel, yet can be easily field converted to any FM channel
- 786 Notch Filters are ideally suited to isolate radio station transmitters and reduce product emission to acceptable levels.

	Pass/Notch Frequency Separation	
	800kHz to 1MHz	Greater than 1MHz
Frequency Range:	88 to 108 MHz	
Notch Frequency Suppression:	-25 dB	-40 dB
786 Through Power Handling:	30 kW	55 kW
VSWR Typical:	1.07:1 \pm 100kHz	1.05:1 \pm 150kHz
Insertion Loss:	<0.05dB	<0.03dB
Frequency Stability \pm 50°F From Normal	\pm 10kHz	
Operating Temperature:		
Input and Output RF Connections		
Model 786	3-1/8-inch or 6-1/8-inch EIA Flange, captivated male	

Specifications subject to change without notice.

Electronics Research, Inc. • 7777 Gardner Road • Chandler, IN 47610-9219 • USA
 +1 812 925-6000x214 (tel) • +1 812 925-4030 (fax)

Your Single Source for Broadcast Solutions™ • Call Toll-free at 877 ERI-LINE • Visit Online at www.eriinc.com

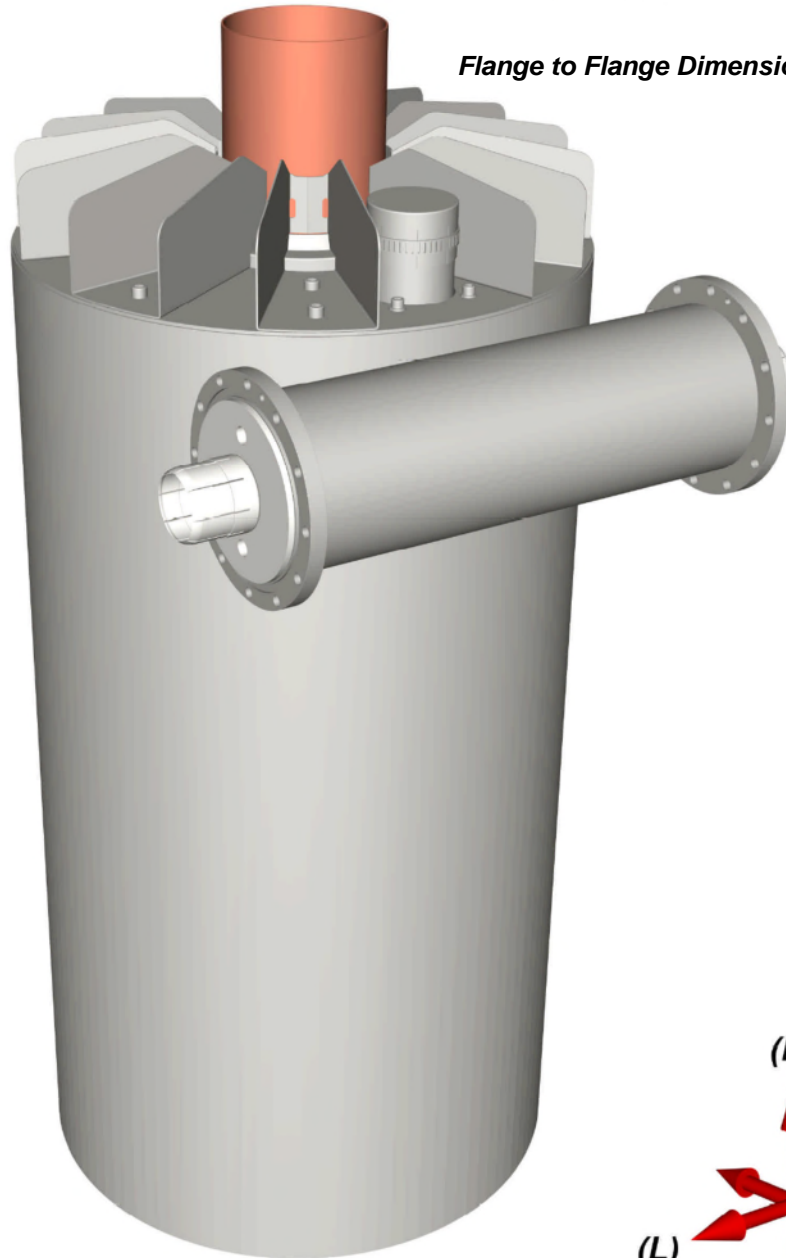
WEIGHT: 175 LBS.

LENGTH (L): 22-3/16"

WIDTH (W): 28-1/2"

HEIGHT (H): 52"

Flange to Flange Dimension 19.625-inches



NOTE: DIMENSIONS & WEIGHTS ARE APPROXIMATE AND SUBJECT TO CHANGE PER TUNING.

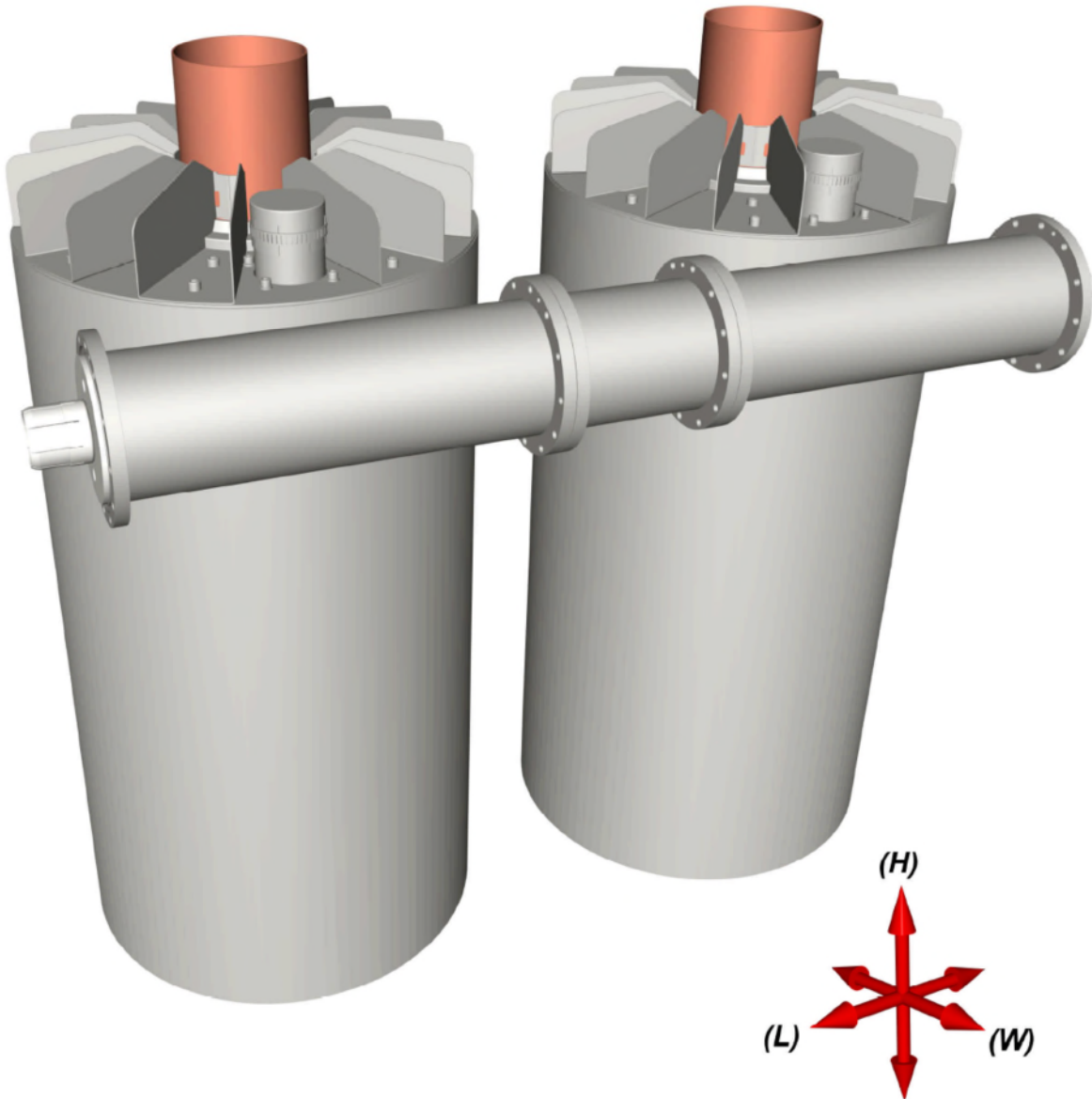
**Electronics Research Model 786-1 FM Notch Filter
Input and Output Connections 3-1/8-inch or 6-1/8-inch EIA Flanges, captivated male**

WEIGHT: 360 LBS.

LENGTH (L): 54-1/8"

WIDTH (W): 28-1/2"

HEIGHT (H): 52"



NOTE: DIMENSIONS & WEIGHTS ARE APPROXIMATE AND SUBJECT TO CHANGE PER TUNING.

ERI 786-2 Series Notch Filter

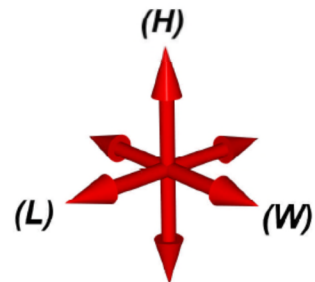
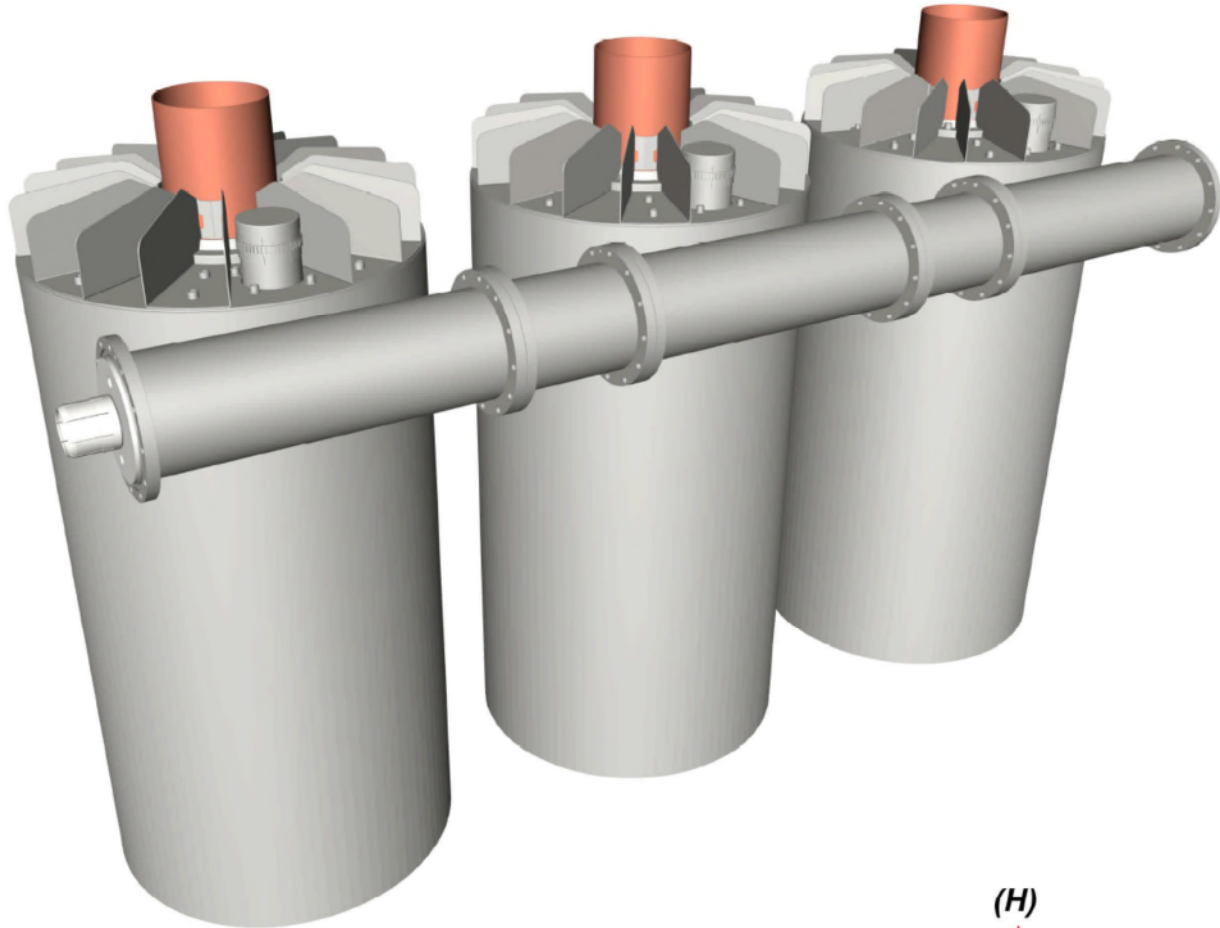
Input and Output Connections 3-1/8-inch or 6-1/8-inch EIA Flanges, captivated male

WEIGHT: 545 LBS.

LENGTH (L): 81-34"

WIDTH (W): 28-1/2"

HEIGHT (H): 52"



NOTE: DIMENSIONS & WEIGHTS ARE APPROXIMATE AND SUBJECT TO CHANGE PER TUNING.

ERI 786-3 Series Notch Filter

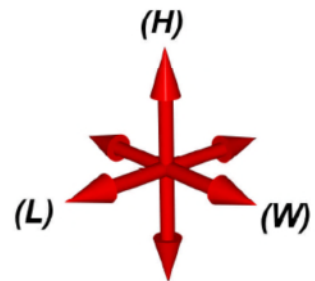
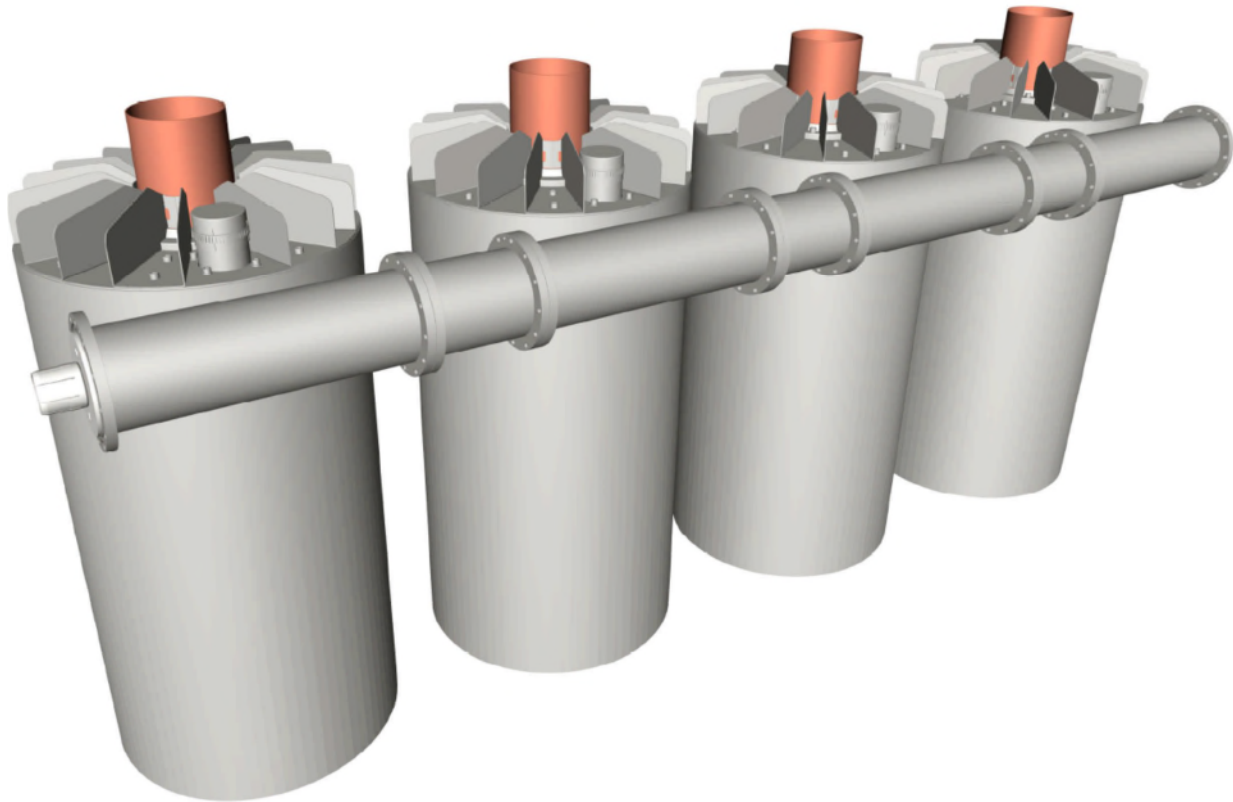
Input and Output Connections 3-1/8-inch or 6-1/8-inch EIA Flanges, captivated male

WEIGHT: 730 LBS.

LENGTH (L): 109-3/8"

WIDTH (W): 28-1/2"

HEIGHT (H): 52"



NOTE: DIMENSIONS & WEIGHTS ARE APPROXIMATE AND SUBJECT TO CHANGE PER TUNING.

ERI 786-4 Series Notch Filter

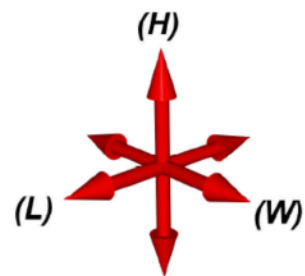
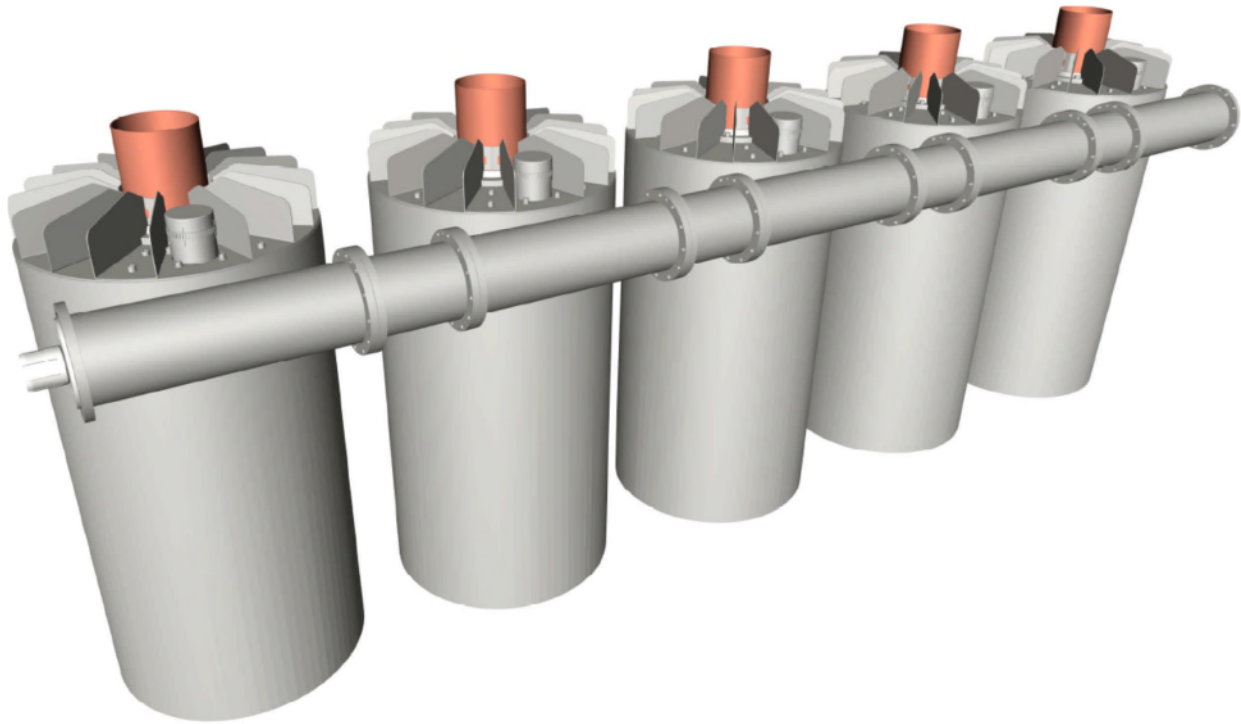
Input and Output Connections 3-1/8-inch or 6-1/8-inch EIA Flanges, captivated male

WEIGHT: 915 LBS.

LENGTH (L): 137"

WIDTH (W): 28-1/2"

HEIGHT (H): 52"



NOTE: DIMENSIONS & WEIGHTS ARE APPROXIMATE AND SUBJECT TO CHANGE PER TUNING.

ERI 786-5 Series Notch Filter

Input and Output Connections 3-1/8-inch or 6-1/8-inch EIA Flanges, captivated male