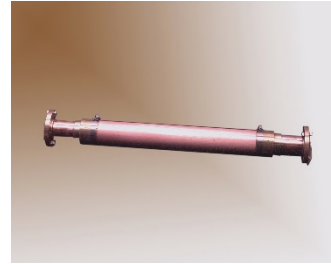


UHF Coaxial Low Pass Harmonic Filters

Features

- High rejection 2nd and 3rd Harmonic
- Extremely Low Insertion Loss and VSWR
- Minimized Length
- Wide Range of Power Levels
- Built-in Couplers Available
- Alternative Connectors Available
- Rugged Construction



ERI high rejection UHF low-pass harmonic filters are designed for transmitter power levels up to 28 kW, average power. Chebyshev design parameters define element values that provide 40 dB or greater rejection at the second harmonic and 30 dB or greater rejection at the third harmonic.

Extremely low pass band insertion loss is achieved through the use of silver plating on the filter inner conductor. Each filter is individually tuned and tested for optimum electrical and mechanical performance. Measured test data is supplied with each filter. Either flanged or unflanged connectors are available on all filter models. ERI directional couplers may also be integrated into any size filter.

UHF Low Pass Harmonic Filters

Model	Outer Conductor	Input/ Output	Power Rating	Length	
CF279	CU	1-5/8" Flanged	5 kW	24.00 in	610 mm
CF381	CU	3-1/8" Flanged	15 kW	24.00 in	610 mm
CF415	CU	4-1/16" Flanged	18 kW	24.00 in	610 mm
CF415 w/ Cooling Fins	CU	4-1/16" Flanged	25 kW	24.00 in	610 mm
CF415 w/ Forced Air	CU	4-1/16" Flanged	28 kW	24.00 in	610 mm

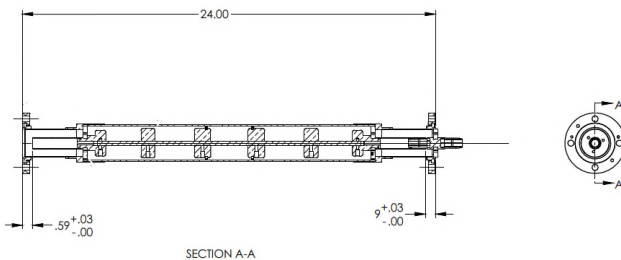
Specifications:

Input VSWR: 1.05 : 1 or better over 6 MHz channel

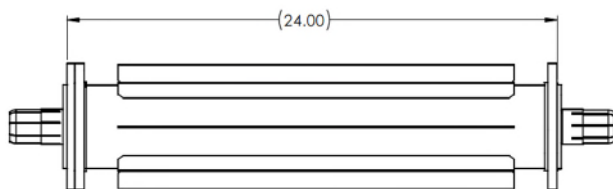
Insertion Loss: 0.1 dB max over 6 MHz channel

Rejection: 40 dB min. at 2F_c +/- 6 MHz, 3F_c +/- 9 MHz

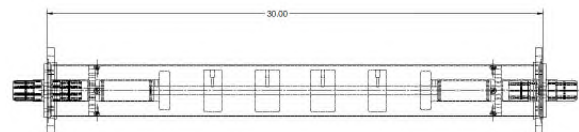
All power ratings listed are average power, ATSC1.0 or COFDM



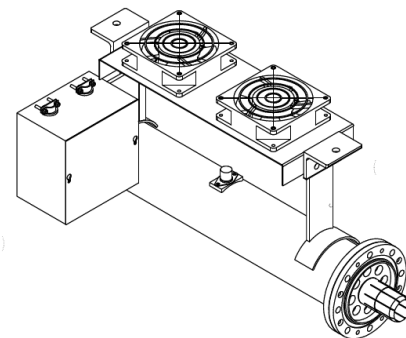
CF279 UHF Low Pass Harmonic Filter



CF415 with Fins UHF Low Pass Harmonic Filter



CF381 UHF Low Pass Filter



CF415 w/ Forced Air UHF Low Pass Harmonic Filter

© 2018 Electronics Research, Inc.
Revise November 24, 2018

Electronics Research, Inc. • 7777 Gardner Road • Chandler, IN 47610-9219 • USA
+1 812 925-6000 (tel) • +1 812 925-4030 (fax)

Your Single Source for Broadcast Solutions™ • Call Toll-free at 877 ERI-LINE • Visit Online at www.eriinc.com