

VF-H12500-63 Six-Section High Band VHF Band Pass Filters

Features

- Operating frequency range 174 to 230 MHz
- Fully band tunable
- Cross coupled filter design
- Can be configured for 6, 7, or 8 MHz bandwidths
- Available for analog or digital masks
- Power handling capability of up to 12.5 kilowatts, average power
- Temperature compensated design



The VF-H12500-63 is a compact, six-section, high band VHF band pass filter that is adjustable for operating frequency, bandwidth, and mask slope. The filter can be configured to meet the requirements any standard digital or analog mask. This is a temperature compensated filter it maintains emissions compliance and an excellent input match from "cold start" and with variations in ambient temperature.

All ERI filter and RF component products are manufactured and precision tested for optimum electrical and mechanical performance.

Specifications

Application	ATSC 1.0 or ATSC 3.0	
Band:	High Band VHF (174 to 216 MHz)	
US RF Channels:	7 to 13	
Channel Bandwidth	6 MHz	
Passband (Extended)	± 2.69 MHz	
Poles	6	
Model Number	VF-H12500-63	
Power Handling (average)	Convection Cooled	10.0 kW
	Forced Air Cooling	12.5 kW
	7dB Crest Factor ATSC1.0 (10 dB for 3.0)	
Standard Connectors	3-1/8-inch EIA flanged, male	

Electrical Specifications

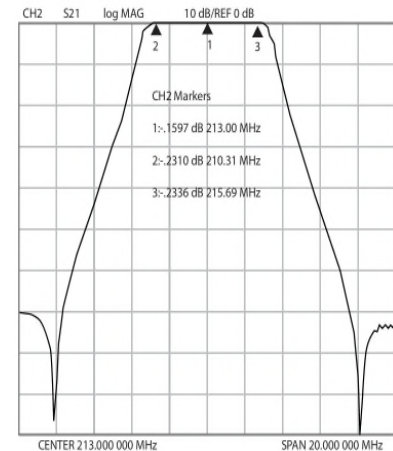
VSWR (Passband)	1.08:1, maximum over $F_c \pm 2.69$ MHz	
Loss	F_c	0.20 dB
	Passband	0.30 dB
Rejection	± 3.00 MHz	>0.75 dB
	± 3.25 MHz	>2.50 dB
	± 4.00 MHz	>5.30 dB
	± 5.50 MHz	>25.00 dB
	± 6.00 MHz	>30.00 dB
	± 9.00 MHz	>64.00 dB

Group Delay 200 nsec, maximum over $F_c \pm 2.69$ MHz

Mechanical Specifications

Length	60.0 in	(1524 mm)
Width	35.0 in	(888 mm)
Height	37.0 in	(940 mm)
Weight	160.0 lbm	(72.6 kg)

Notes: (1) Available in 6, 7, or 8 MHz bandwidth configurations. (2) Typical specification; Custom specifications available on request. (3) Power Ratings dependent on tuning of filter.



Typical Response Mask

Electronics Research, Inc. • 7777 Gardner Road • Chandler, IN 47610-9219 • USA
+1 812 925-6000 (tel) • +1 812 925-4030 (fax)

Your Single Source for Broadcast Solutions™ • Call Toll-free at 877 ERI-LINE • Visit Online at www.eriinc.com

VF-H12500-63 Six-Section High Band VHF Band Pass Filters

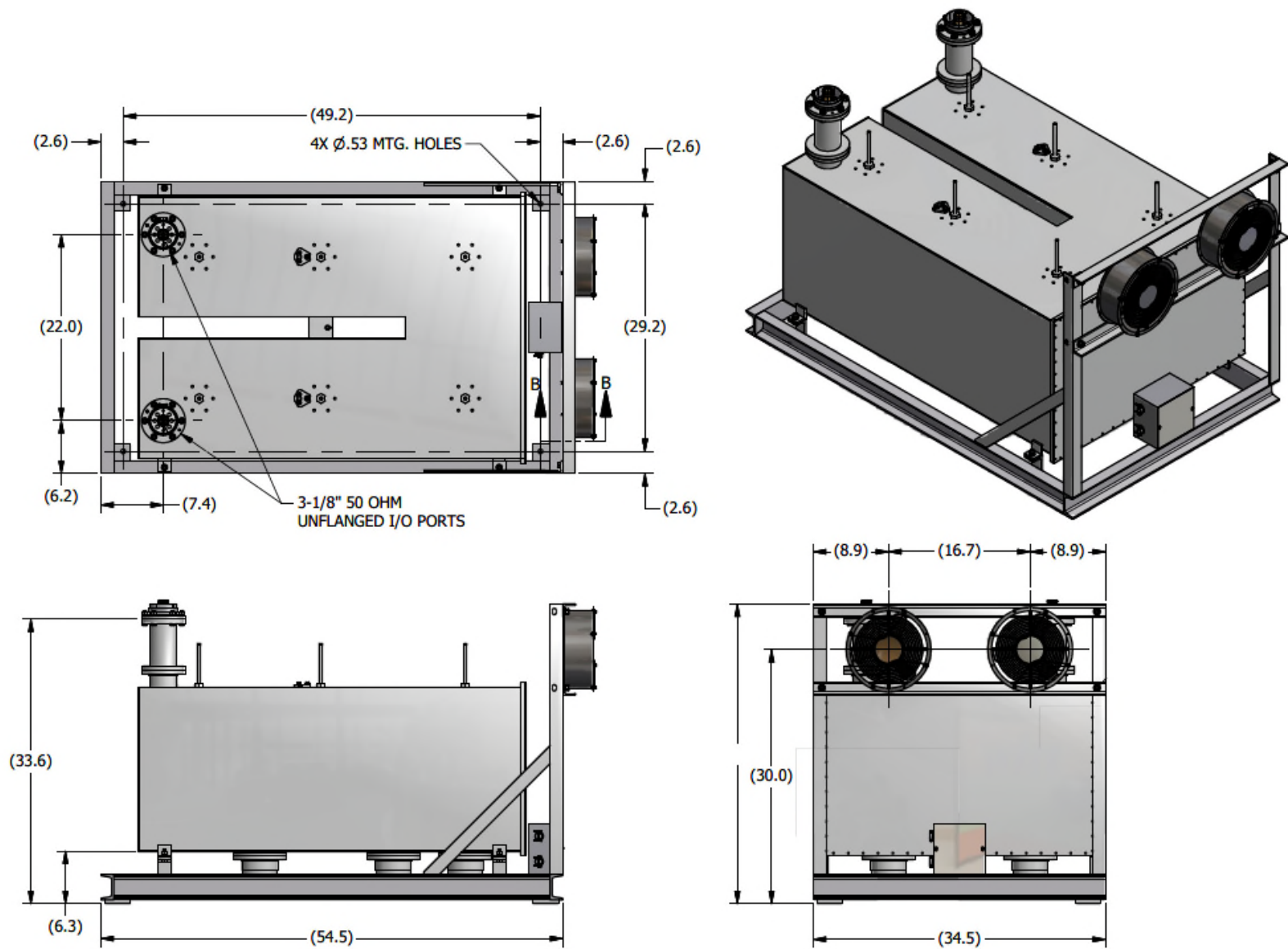


Figure 1VF-H12500-63 Six Section High Band VHF Band Pass Filter. Dimension show in inches.