

## Insulated Hangers for HELIAX® Coaxial Cable



The insulated hanger kits contain a hanger, insulator, and the hardware necessary to mount 1-1/4", 1-5/8", 2-1/4", 3", 4", and 5" cable. Where an adapter is required, the mounting hardware is part of the adapter kit.

Hangers must be spaced at intervals as shown in the table.

Cable Size	Recommended Max. Spacing	Type No.
1-1/4"	3 ft (1 m)	<b>33948-5</b>
1-5/8"	3 ft (1 m)	<b>33948-3</b>
2-1/4"	3 ft (1 m)	<b>33948-6</b>
3"	5 ft (1.5 m)	<b>33948-2</b>
4"	5 ft (1.5 m)	<b>33948-4</b>
5"	5 ft (1.5 m)	<b>33948-1</b>

For **Direct Attachment**, the tower member must have 9/16" (14 mm) clear holes.

For **Round Member Attachment**, a Type **13550** round member adapter is required. Use with 1-5/8" - 5" cable. Adapter is suitable for use on round tower members 1-3 in (25-75 mm) in diameter.

For **Angle Member Attachment**, a Type **13555A** angle adapter is required. Use with 1-5/8" - 5" cable. Maximum tower member thickness is 7/8" (22 mm).

### Read the Instructions Thoroughly before Assembly

Refer to the applicable hanger attachment configuration and attach the hanger to the tower member (or adapter) as described. After hanger is installed, insert cable into hanger and form the hanger around the cable as shown. Secure the cable in place, tightening until hanger grips firmly. Do not overtighten or damage to the cable may result. It is recommended that the hanger to insulator connection, and the insulator to adapter connection, if applicable, be made prior to attachment of the hanger/hanger adapter assembly to the support structure.

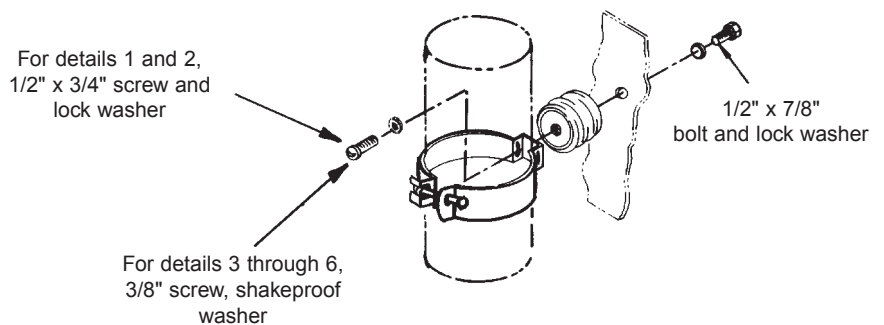
### NOTICE

The installation, maintenance, or removal of antenna systems requires qualified, experienced personnel. ERI installation instructions have been written for such personnel. Antenna systems should be inspected once a year by qualified personnel to verify proper installation, maintenance, and condition of equipment.

ERI disclaims any liability or responsibility for the results of improper or unsafe installation practices.

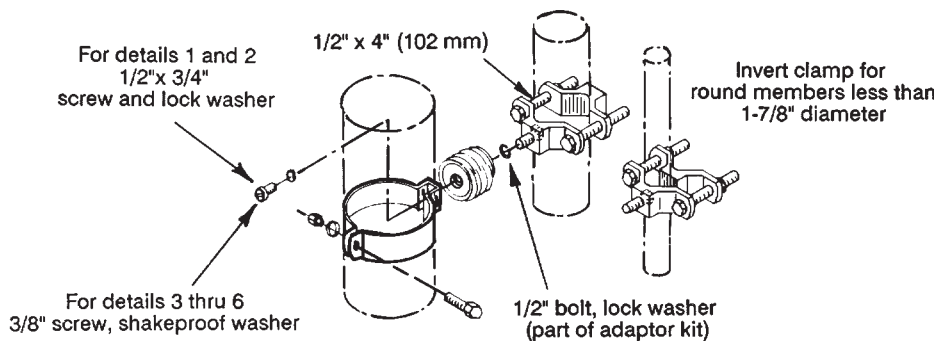
### Direct Attachment.

Attach hanger to insulator. Attach insulator to tower.



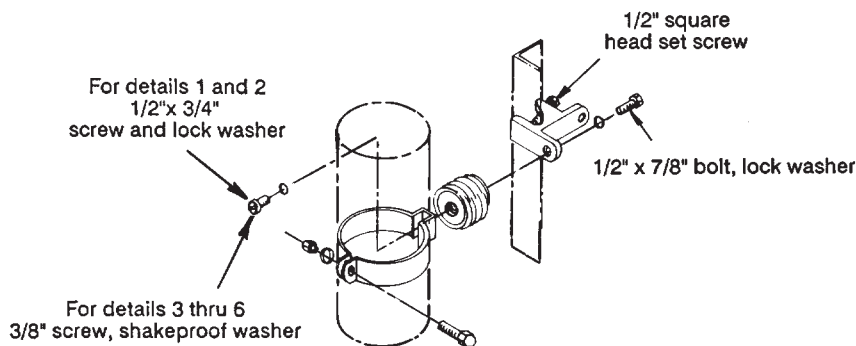
**Round Member Attachment.**

Attach insulator to clamp half.  
 Attach hanger to insulator. Attach  
 round member adapter clamp  
 halves to tower.



**Angle Member Attachment.**

Attach insulator to angle adapter.  
 Attach hanger to insulator. Attach  
 adapter/hanger assembly to tower  
 member.



**Form Hanger Around Cable and Tighten Connection.**

