

Hinged Spring and Rigid Hangers

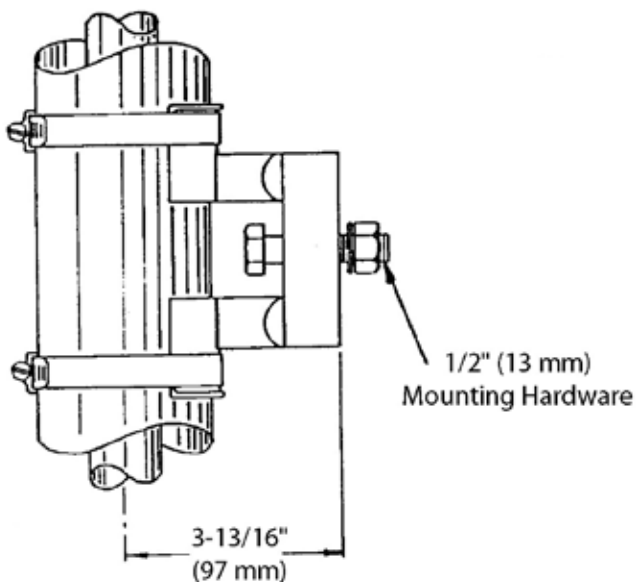
for 3-1/8" Rigid Transmission Line

Types RLA300-11-H, RLA300-13, and RLA300-13A

Description

Type 13927 rigid hanger is designed for mounting 3-1/8" rigid transmission line. One hanger will anchor up to 300 ft (90 m) of transmission line. One additional hanger should be used on the top section of the vertical run for every additional 300 ft (90 m) of line or portion thereof. Type RLA300-11-H hinged vertical spring hanger is used to support the weight and accommodate the differential expansion of 3-1/8" rigid transmission line.

Hardware Torque Specifications	
Hardware Size	Torque Value
3/8" 10 mm	21 ft-lb 28 N-m
1/2" 13 mm	46 ft-lb 62 N-m
5/8" 16 mm	76 ft-lb 103 N-m



Type RLA300-13 Rigid Hanger

Use additional rigid hanger on top section of vertical run for every additional 300 ft (91 m) of line or portion thereof.

Rigid Hanger Installation

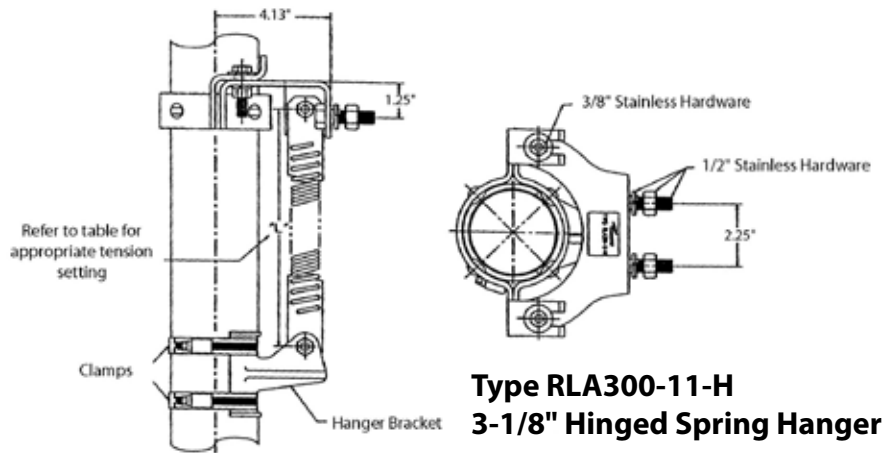
Note: If no holes are available, contact the tower manufacturer for applicable safety regulations regarding the drilling of any holes in tower sections.

Transmission line installation may begin at either end of the proposed vertical run. Installations originating at the top (antenna end) of the vertical run will require at least one rigid hanger at the top (depending on the length) and will require proper positioning of the bottom miter elbow to allow for both expansion and contraction of the rigid line over the anticipated operational temperature range.

Installations originating at the bottom (transmitter end) of the vertical run must utilize one or more rigid hangers for support. Additional miter elbows and field flanged sections will probably be required to ensure alignment with the antenna input flange.

Note: Rigid hangers used at the bottom portion of the vertical run for increased support during installation must be removed after installation of top rigid hanger(s) to prevent serious damage to antenna and/or transmission line.

Hardware Torque Specifications	
Hardware Size	Torque Value
3/8" 10 mm	21 ft-lb 28 N-m
1/2" 13 mm	46 ft-lb 62 N-m
5/8" 16 mm	76 ft-lb 103 N-m



Type RLA300-11-H
3-1/8" Hinged Spring Hanger

Spring Hanger Installation

Install rigid hanger(s) followed by spring hangers. Mount spring hangers directly to tower member provided, at 10 ft (3 m) intervals as follows:

1. Loosen captivated 3/8" nuts of all spring hangers and open jaws.
2. Bolt each hanger to tower using 5/8" (16 mm) bolts and torque to specifications.
3. Insert rigid line section, close spring hanger jaws on first hanger and torque bolt to specifications. Leave clamps open.
4. Repeat for each additional hanger. After all the spring hangers have been properly installed, set all springs in accordance with the Spring Settings table, below, and tighten clamps. All hangers within any one system may use this same setting. To insure uniformity of settings, a setting guide may be made from 1" x 2" (25 mm x 50 mm) wood or wooden dowel cut to the length specified in the Spring Settings table.

Note: To avoid large variations in tension, all spring hangers should be set within hours of each other.

Vertical Spring Hanger Spring Settings - L, in (mm)					
Line Length ft (m)	Ambient Temperature, °F (°C)				
	0 to 20 (-18 to -7)	20 to 40 (-7 to 4)	40 to 60 (4 to 16)	60 to 80 (16 to 27)	80 to 100 (27 to 38)
0-200 (0-61)	25-11/16 (652)	25-1/2 (654)	25-13/16 (655)	25-7/8 (657)	25-15/16 (659)
200-400 (61-122)	25-3/8 (645)	25-5/8 (650)	25-13/16 (655)	26 (660)	26-3/16 (666)
400-600 (122-183)	25-1/8 (638)	25-7/16 (647)	25-13/16 (655)	26-1/8 (664)	26-1/2 (672)
600-800 (183-244)	24-7/8 (631)	25-5/16 (643)	25-13/16 (655)	26-1/4 (667)	26-3/4 (679)
800-1000 (244-305)	24-9/16 (625)	25-3/16 (640)	25-13/16 (655)	26-3/8 (671)	27 (686)
1000-200 (305-366)	24-5/16 (618)	25-1/16 (637)	25-13/16 (655)	26-9/16 (674)	27-1/4 (693)
1200-1400 (366-427)	24-1/16 (611)	24-15/16 (633)	25-13/16 (655)	26-11/16 (678)	27-9/16 (700)
1400-1600 (427-488)	23-3/4 (604)	24-13/16 (630)	25-13/16 (655)	26-13/16 (681)	27-13/16 (707)
1600-1800 (488-549)	23-1/2 (597)	24-11/16 (626)	25-13/16 (655)	26-15/16 (684)	28-1/16 (713)
1800-2000 (549-610)	23-1/4 (590)	24-1/2 (623)	25-13/16 (655)	27-1/16 (688)	28-3/8 (720)

Installation Instructions

For Technical Support call 877 ERI-LINE or +1 812 925-6000, or visit our website at www.eriinc.com

All designs, specifications, and availabilities of products and services presented in this publication are subject to change without notice. Publication 20101119005_AEN02 (2012-06-18) Copyright © 2012 Electronics Research, Inc. Chandler, IN 47610 USA