

Feed-Thru Flange Kits

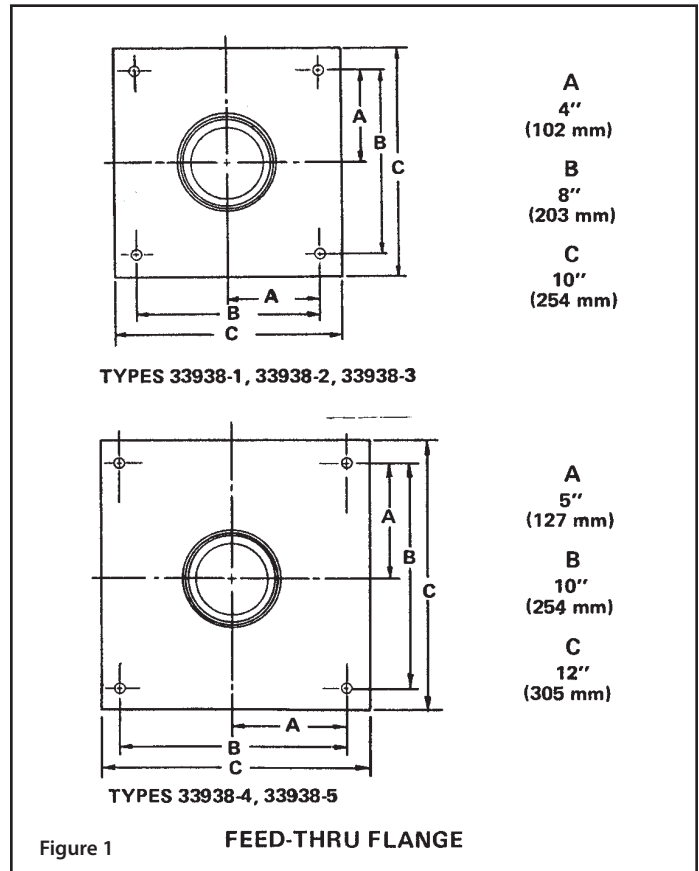
The Feed-Thru Flange provides a weatherproof path through a roof or wall for HELIAX® cable. A path for an accompanying antenna power cord is also provided. The flange can be mounted to metal or concrete roofs and walls, and has four 5/16 in. (8mm) diameter mounting holes. Refer to Figure 1.

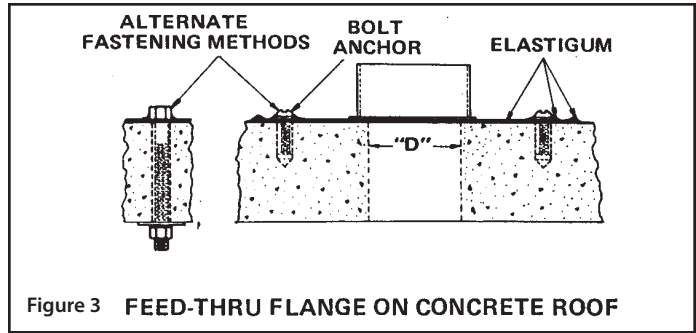
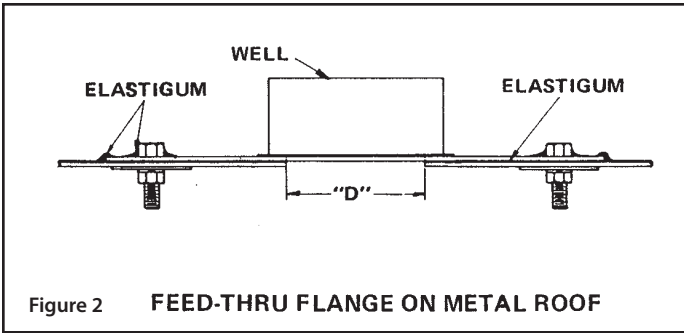
The kit consists of the flange, two rubber centering washers and a quart of plastic elastigum.

READ THE INSTRUCTIONS THOROUGHLY BEFORE ASSEMBLY

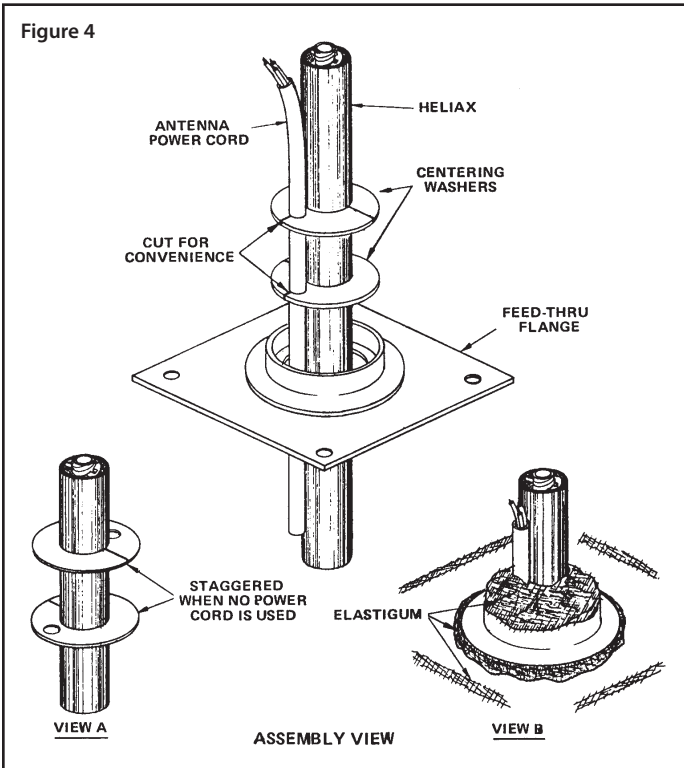
Kit Number	HELIAX Size, in.	Clearance Hole D, in. (mm)
33938-1	1/4, 3/8, 1/2	2-5/8 (67)
33938-2	7/8	3-1/4 (83)
33938-3	1-5/8	4-9/16 (116)
33938-4	3	5-5/8 (143)
33938-5	5	7-1/2 (191)

- Place feed-thru flange on roof or wall and use it as template to mark four 5/16 in. diameter mounting hole positions plus well clearance hole.
- Drill mounting holes through roof or wall. For mounting flange to concrete, clear holes can be drilled through concrete or bolt anchors can be inserted at mounting hole positions. See Figures 2 and 3. Cut and remove center portion from metal or concrete for cable path.
- After all drilling and cutting is accomplished, apply generous coating of elastigum to area which will be covered by feed-thru flange. Weatherproofing bolt positions is extremely important.
- Place flange into position and add mounting hardware. For metal installations, use 1/4-20 bolts, lockwashers, flat washers, and nuts obtained locally. Flat washers must be placed against inside of building. For concrete installations, use 1/4 -20 long bolts or anchor bolts. Tighten bolts and apply another coating of elastigum to bolt connections, along edges of flange, and around well.





5. Insert free end of cable through well of feed-thru flange. Allow enough cable to reach transmitting equipment. Center cable by seating centering washers at bottom of well and around cable. If power cord is used, align 5/8 ins. Diameter holes in washers; if not, stagger washers as shown in View A, Figure 4. When washers are in place, fill well completely with elastigum to guarantee secure and weatherproof assembly. Dome top of elastigum to permit water to roll off as shown in View B.



For Technical Support call 877 ERI-LINE or +1 812 925-6000, or visit our website at www.eriinc.com

All designs, specifications, and availabilities of products and services presented in this publication are subject to change without notice. Publication 17824B (2006-03-15)
Copyright © 2006 Electronics Research, Inc. Chandler, IN 47610 USA